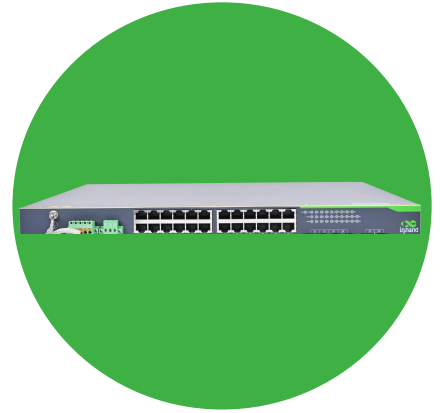


Build advanced and highly reliable industrial Ethernet communication system

ISM5026U-P

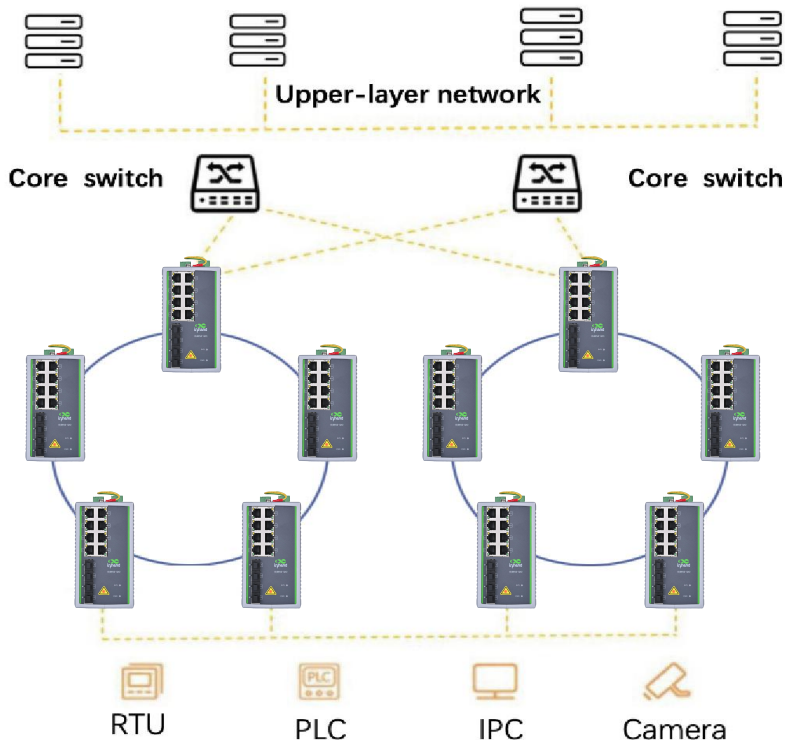
Managed Industrial Ethernet Switch



The ISM series of managed industrial Ethernet switches is specifically designed to meet the demands of harsh industrial environments such as power, transportation, and industrial control applications. The rugged casing design and protected circuits among other industrial-grade features perform its remarkable adaption to rough environments. It can reliably operate in extreme temperature conditions, effectively addressing challenges posed by demanding environments.

Furthermore, the ISM5026U also owns advanced and comprehensive network functionalities, supporting STP/RSTP/MSTP ring redundancy protocols, offering users a flexible choice for constructing intricate industrial Ethernet communication systems. Whether faced with challenging production environments or stringent requirements for reliability and availability in industrial applications, InHand Networks' industrial Ethernet switches can meet your expectations.

Solutions



Advantages and Features

- + With functions of data packet dropout protection and quick recovery from network failure
- + Excellent EMC electromagnetic compatibility and radiation performance
- + Support various multicast protocols and strong safety protection mechanism
- + Adopting redundant dual input power design
- + Bandwidth management to prevent unpredictable network status
- + QoS (IEEE 802.1p/1Q and TOS/DiffServ) to increase determinism
- + Fanless, -40°C to 85°C operating temperature range

● Build advanced and highly reliable industrial Ethernet communication

ISM Managed Industrial Switch features a rugged metal casing and protective coating, providing pressure resistance and corrosion protection.

The product is fanless, with IP40 protection, dust and dirt resistance, and supports wide temperature operation.

Industrial-grade redundant power supply design, wide voltage input, ensuring stable communication in harsh industrial environments.

The product's MTBF (Mean Time Between Failures) is over 35 years.

● Efficient and effortless deployment and management

The ISM series supports SNMP for integrated network management with different network management systems.

Supports RMON to enable comprehensive and effective network monitoring and fault prediction, allowing users to quickly and efficiently deploy and manage network.

Features with Rack mounting, small size, plug-and-play, and quick deployment.

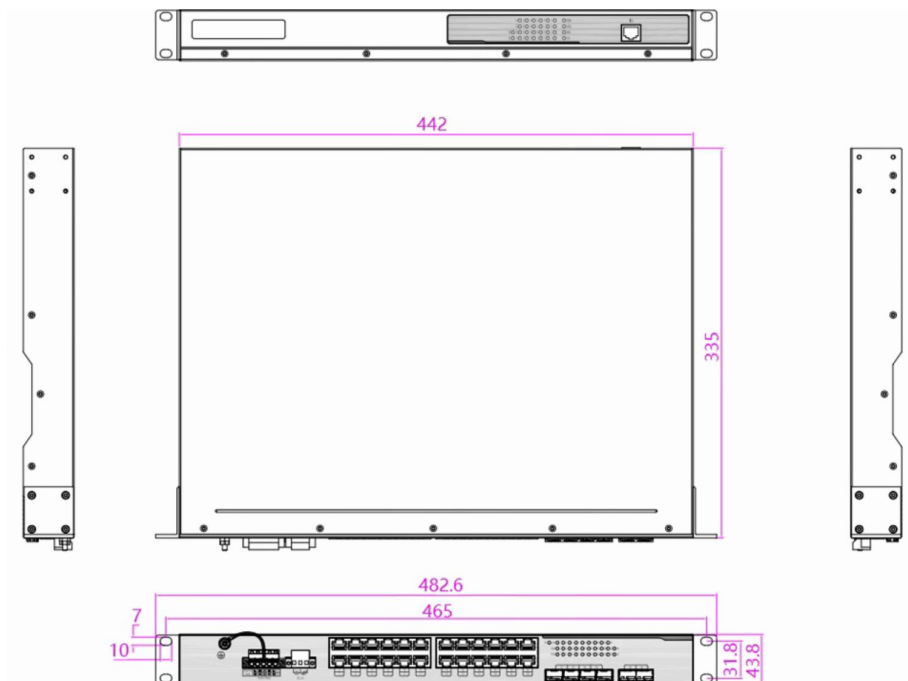
● Robust network security performance

IGMP Snooping.

Intelligent features such as VLAN network segmentation.

Product dimensions(mm)

ISM5026U Dimensional diagram



72mm x 140mm x 110mm

Technical Specifications

- IEEE 802.3 CSMA/CD method and physical Layer specifications
- IEEE 802.1p Priority Queuing
- IEEE 802.1q VLAN tagging
- IEEE 802.1d Spanning Tree Algorithm
- IEEE 802.1w Rapid Spanning Tree
- IEEE 802.1s Multiple Spanning Tree
- IEEE 802.3ac VLAN Tagging
- IEEE 802.1x Authentication
- IEEE 802.3ad Link Aggregation
- IEEE 802.3x Flow Control
- IEEE 802.3 Ethernet
- IEEE 802.3u Fast Ethernet
- IEEE 802.3z Gigabit Ethernet
- IEEE 802 Networks
- RFC 768 UDP
- RFC 791 IP
- RFC 792 ICMP
- RFC 793 TCP
- RFC 826 ARP
- RFC 854 Telnet Client & Server
- RFC 862 Echo Protocol
- RFC 863 Discard Protocol
- RFC 867 Daytime Protocol
- RFC 868 Time Protocol
- RFC 1027 Using ARP to Implement Transparent Subnet Gateways
- RFC 1059, 1119 NTPv1/2
- RFC 1112 IGMP
- RFC 1191 Path MTU Discovery
- RFC 1403 BGP OSPF Interaction
- RFC 1542 Bootstrap Extensions & DHCP
- RFC 1851 The ESP Triple DES Transform
- RFC 1994 PPP Challenge Handshake Authentication Protocol (CHAP)
- RFC 2068 HTTP
- RFC 213 DHCP Server
- RFC 2138 RADIUS
- RFC 2139 RADIUS Accounting
- RFC 2236 IGMPv2
- RFC 2474 DiffServ Precedence
- RFC 2597 DiffServ Assured Forwarding,
- RFC 2598 DiffServ Expedited Forwarding
- RFC 2644 Directed Broadcasts
- RFC 2865 Remote Authentication Dial In User Service (RADIUS)
- RFC 3046 DHCP Relay Agent Information Option
- RFC 3222 Forwarding Information Base (FIB)
- GMRP GARP
- GVRP GARP
- SSH2 Secure Shell 2
- IGMP snooping
- SNMPv3

Product specifications

ISM7028U Product specifications				ISM7028U Product specifications			
Project		ISM5026U-P-4GC-2GSFP-20GT-HV-HV		Project		ISM5026U-P-4GC-2GSFP-20GT-HV-HV	
Physical Performance				Electromagnetic Characteristics			
Dimensions		442mm × 43.8mm × 335mm		EMI		FCC 47 CFR Part 15 Class A EN55022 Class A	
Enclosure		Fully enclosed seamless metal enclosure		EMS		IEC(EN)61000-4-2, Class 4 IEC(EN)61000-4-3, Class 3 IEC(EN)61000-4-4, Class 4 IEC(EN)61000-4-5, Class 4 IEC(EN)61000-4-6, Class 3 IEC(EN)61000-4-9, Class 5	
Weight		2.7 kg		Protection Grade		IP40	
Cooling Method		Fanless cooling		Installation		Rack mounting	
Storage Temperature		-40 ~ +85°C		Operating Temperature		-40 ~ +85°C	
Ambient Humidity		5 ~ 95% (non-condensing)					
Hardware performance				Mechanical Characteristics			
Backplane Bandwidth		56 Gbps		Shock		IEC60068-2-27 Freefall IEC60068-2-31	
Transmission mode		Parallel Storage forwarding		Vibration		IEC60068-2-6	
MAC Table Size		8 K		Power Parameters			
Packet Buffer Size		4 Mbits		Input Voltage		100-240V dual-isolated power input	
Exchange Rate		148,800 pps/100M ports; 1,488,000 pps/1000M ports		Overload Current Protection		Supported Reverse Polarity Protection Supported	
Software Functions				certificationS			
Redundancy		STP, MSTP, RSTP, Port Trunking		UL,CE,FCC			
Management Mode		Browser, Serial Port, STD-17 MIB-II, STD-58 SMiv2, STD-59 RMON, STD-62 SNMPv3, SNMPv2c, SNMPv1, SSH, HTTPS, Telnet					
Time Synchronization		NTP					
Diagnostic Mode		Indicator light, Journal File, RMON, Port Mirroring, TRAP					
Others		4K VLANS, IPv4/IPv6 multicast, storm control, support Jumbo Frame					
Quality Assurance							
Warranty Period		5 years		MTBF		35 years	

Recommended Models

Model	Description
ISM5026U-P-4GC-2GSFP-20GT-HV-HV	26-port Layer 2 managed Industrial Switch. 20 * 10/100/1000BaseT Ports + 4 * 100/1000Base(X/T) COMBO Ports + 2 * 100/1000BaseX SFP Ports (SFP module not included). 1 Management Serial CLI Port, 1 Alarm Relay Port (250VAC/125VDC, 2A@250VAC/2A@30VDC). IP40 Protection Class, Operating Temperature from -40° C to +85° C. Dual Isolated 100-240V Power Inputs.

About Us

InHand Networks is a leading IoT solutions provider founded in 2001, dedicated to driving digital transformation across industries and empowering customers to unlock their full potential and achieve accelerated growth.

We specialize in delivering industrial-grade connectivity solutions for diverse sectors, such as enterprise networks, industrial and building IoT, digital energy, smart commerce, and mobility. Our comprehensive product portfolio and services cater to various applications worldwide, including smart manufacturing, smart grid, intelligent transportation, smart retail, etc. With a global footprint spanning over 60 countries, we serve customers in China, the United States, France, Germany, the United Kingdom, Italy, and beyond.



43671 Trade Center Place, Suite 100, Dulles,
VA 20166, USA
T: +1 (703) 348-2988
E: info@inhandnetworks.com
www.inhandnetworks.com